



# **AUTONOMOUS ROBOTIC VEHICLE TEAM**

Advancing technologies in robotics and mobility while enriching educational experiences of members

## **Sponsorship Package**

**2021-2022**

# OUR STORY

Founded in fall 2016, the University of Michigan Autonomous Robotic Vehicle Team is an engineering design team building a fully autonomous vehicle for the Intelligent Ground Vehicle Competition in 2022 at Oakland University in Rochester, Michigan.

UMARV acts as a supplement to a robotics education, providing real-life experiences to work on revolutionary technologies that are shaping the future of mobility. UMARV aims to develop strong interpersonal and technical skills to create balanced students who are well prepared for industry employment. Autonomous vehicles are the foundation of the future of transportation, and we are ready to meet the challenges of tomorrow.

We envision a world where autonomous robotics are used to solve many problems that face us around the world, and it all starts here. We would like to invite you and your organization to become a part of our journey.



## DIVERSE & MULTIDISCIPLINARY TEAM

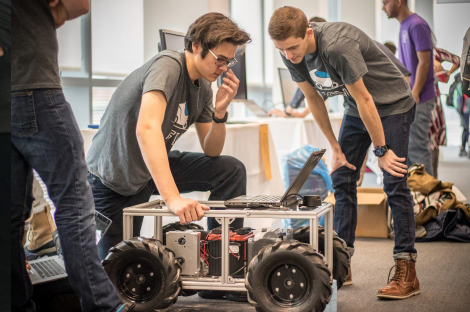
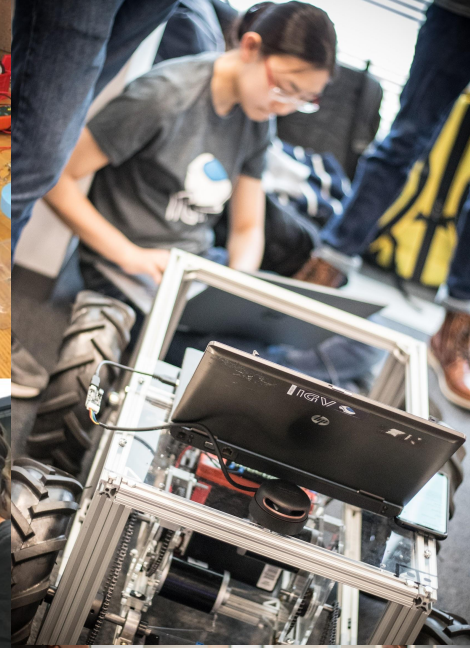
Hailing from 7+ fields of study and various backgrounds

## REAL WORLD APPLICATIONS

Our work is directly applicable across many industries

## HANDS-ON SKILL BUILDING

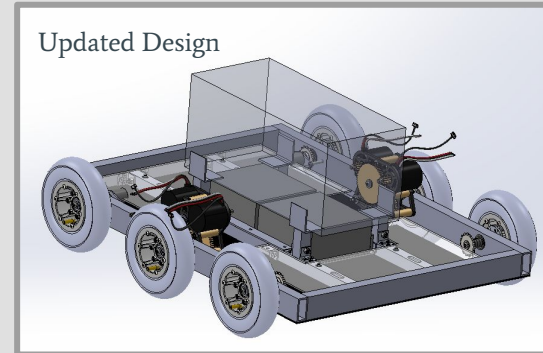
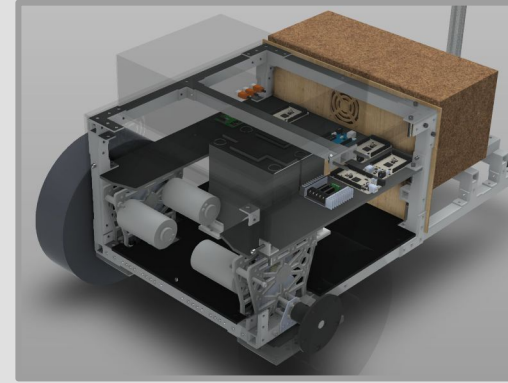
An experience that enhances classroom education



# 2021-2022 PLANS

We currently have a prototype vehicle, and are working on an updated platform.

The prototype vehicle will be used extensively for testing and improving upon our systems while the new platform is being developed. Our goal is to have the new platform ready for the 2022 IGV competition.





# SPONSOR LEVELS

Supporting UMARV will provide your organization with brand building opportunities, media and campus exposure, and a ground-level presence in what is already becoming the next chapter in student-led robotics at the University of Michigan. Here are just some of the ways we hope to recognize your organization for your charitable gift.

## GOLD (\$3K +)

- Large logo on vehicle
- Banner displayed at all events
- Invitation to tech talks/demo events
- All recognition of Silver

## SILVER (\$1.5K +)

- Medium logo on vehicle
- Access to resume book and networking events
- All recognition of Bronze

## BRONZE (\$500 +)

- Logo on website & small logo on vehicle
- Featured in all public relations media

# SPONSOR IMPACT

Any gift you make will not only impact the student experience and our team's mission of incubating our members through hands-on education, but also help build our legacy

## OPERATIONS

Tools & capital costs  
Competition logistics  
Registration Fees

25%

## ENGINEERING

Manufacturing costs  
Test track components  
Vehicle components

65%

## OUTREACH

Demo Day supplies  
Recruitment activities

10%

Backed by the University of Michigan's new multidisciplinary Robotics Institute, we're building something exciting at UMARV. Our team has been hard at work and would like to invite you to join us on this journey. Your gift not only supports our team but also directly impacts the experience of over 40 student members and helps shape the next chapter in student-led robotics at the University of Michigan.

Your charitable gift to the University of Michigan on our behalf is tax deductible. The Regents of the University of Michigan have 501(c)(3) non-profit tax exempt status with the IRS; their federal tax ID number is 38-6006309



# HOW TO GIVE

- Visit [giving.umich.edu/give/925700](https://giving.umich.edu/give/925700)
- Write check payable to University of Michigan Autonomous Robotic Vehicle Team
- Call the College of Engineering Gift Office at 734-647-7043 or email [enggiftcontacts@umich.edu](mailto:enggiftcontacts@umich.edu)
- Contact us at [umarv-leads@umich.edu](mailto:umarv-leads@umich.edu)

# CONNECT WITH US



[linkedin.com/company/umarv](https://www.linkedin.com/company/umarv)



[umarv-leads@umich.edu](mailto:umarv-leads@umich.edu)



[umarv.com](https://umarv.com)